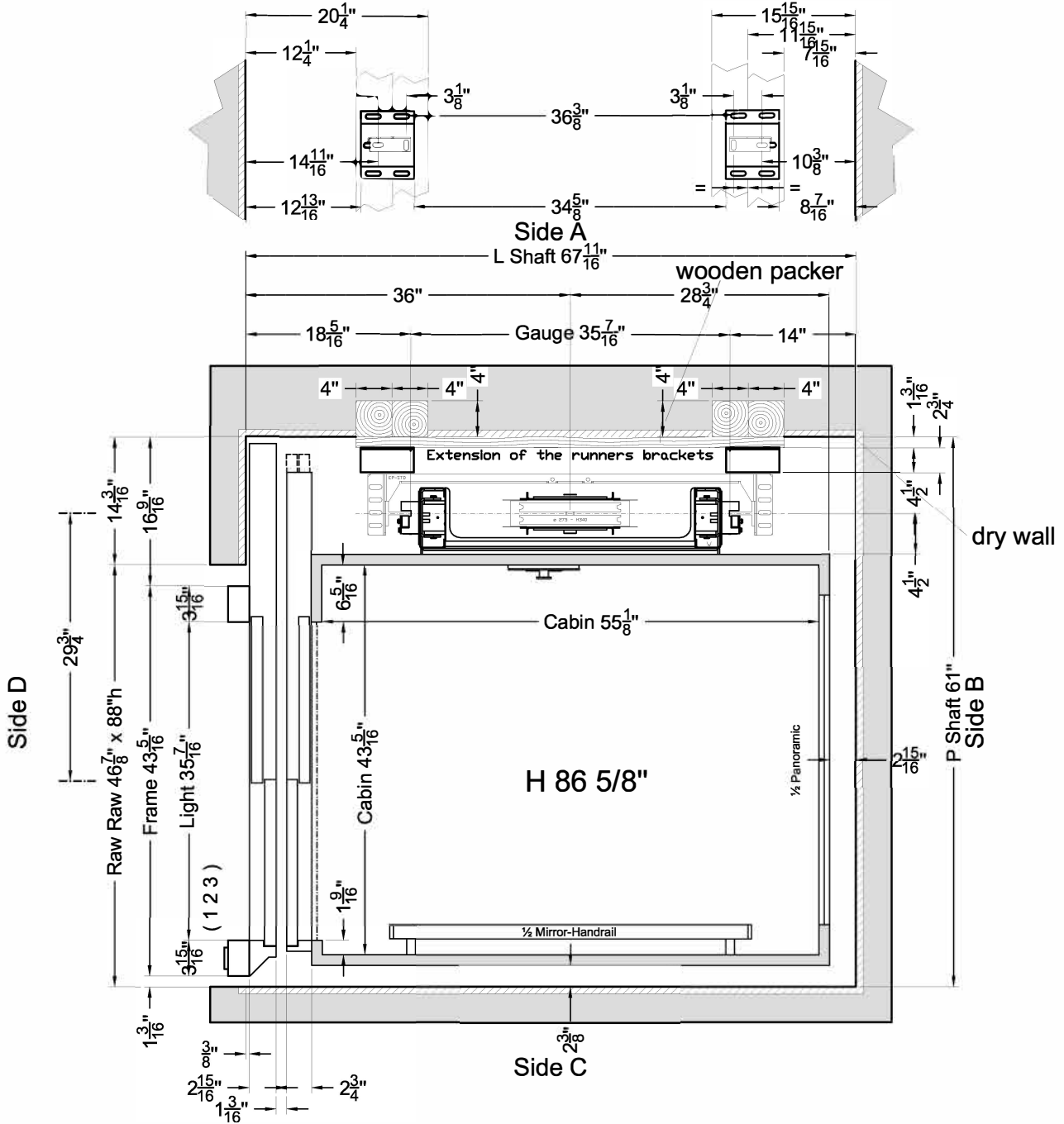


FLOOR DOOR

Side B	Side C	Side D	VERSION	H LIGHT	H FRAME	FRAME	WINDOW	GLASS	ACCESSORIES
		1	2 Panels Verniciato RAL 7001	78 3/4"	87"	Verniciato RAL 7001	Absent		C2
		2 3	2 Panels Verniciato RAL 7001	78 3/4"	87"	Verniciato RAL 7001	Absent		

C1 = Enabling key for the floor button pad (single insertion) C2 = Enabling key for the floor button pad (double insertion) PM = Button pad on the wall PE = Outside lock and button pad



Customer own flooring: Dimensions 56 5/16"(L) x 43 5/16"(P) th. 13/16" Inc Weight: 59 lbs

Stops: 3 - Doors: 3

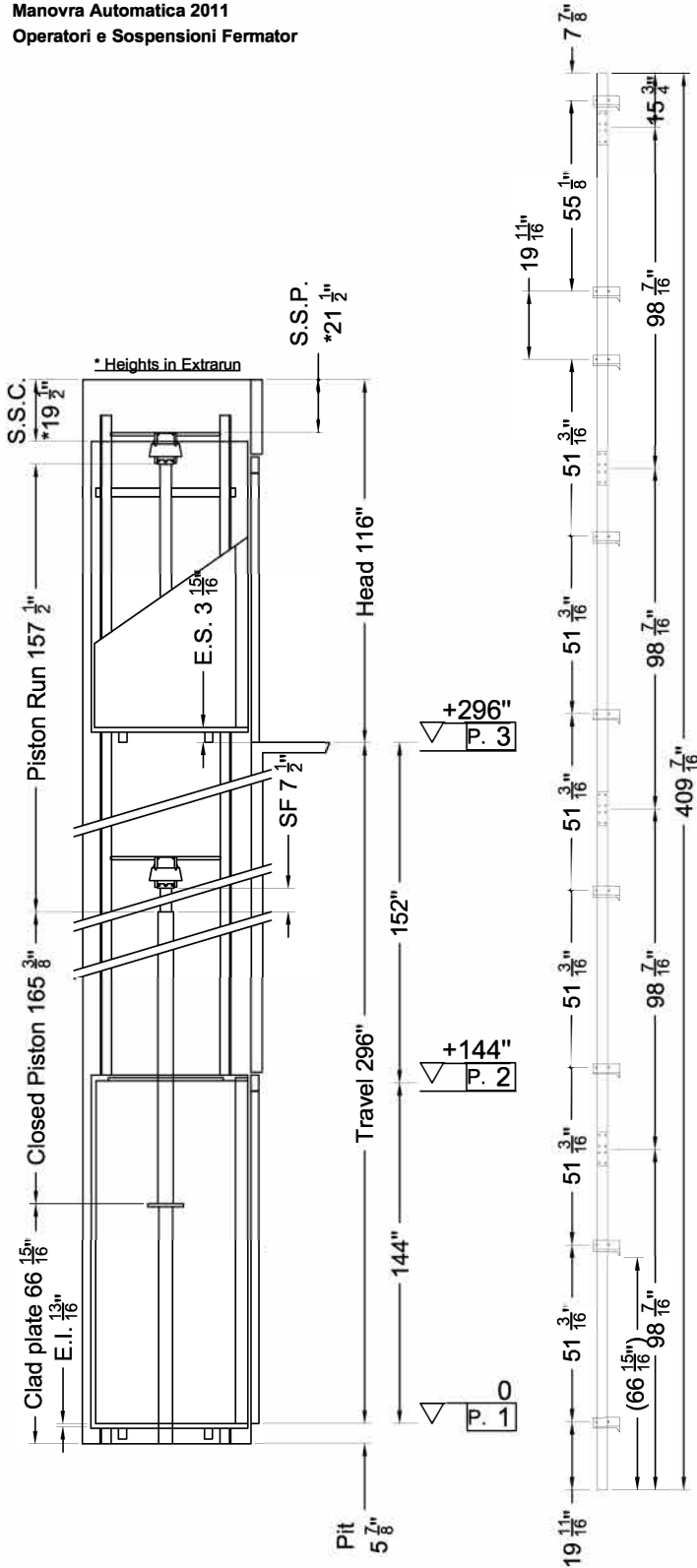
Shaft in **Timber**

Feasibility n° 2234

ORDER NUMBER	VERSION	Description	Designer	Date	Final Drawings	
PS179	VERS	testata a 116"- fossa a 5,9"- cabina 86,6	D.Ogliastro	20/12/2014		ELFO 2
		Modifiche varie e corsa a 296"	D.Ogliastro	17/10/2014		SHEET 1/2
		CLIENT Elevator Boutique	Final Drawings D.Ogliastro	1° STESURA 27/02/15	SCALE 1:12.5	
		PLACE OF INSTALLATION	CAPACITY 881 lbs	AREA R ² 16,5		

ACCESSORI:

- Parte meccanica verniciata RAL 9005
- Guide in barre da 98 7/16"
- Pistone verniciato RAL 9005
- Pompa a mano
- Pressostato con segnalazione di sovraccarico
- Due velocità
- Ritorno piano basso con tempo regolabile
- Interruttore blocco porta quadro
- Dispositivo falsa testata
- Telefono (solo predisposizione)
- Fotocellula tutta parete V2
- Manovra Automatica 2011
- Operatori e Sospensioni Fermator



Indirect Installation	Speed 59 fpm	18/09/14 14.42 (V.2846)
-----------------------	--------------	-------------------------

THRUST DURING NORMAL OPERATION			THRUST OF SAFETY DEVICE INTERVENT.		
P	(lbf)	3179	P	(lbf)	169
N	(lbf)	203	N	(lbf)	2153
F1	(lbf)	398	F1	(lbf)	664
F2	(lbf)	87	F2	(lbf)	145

SPACES		PRESSURES		
E.I.	Extrarun below cabin	13/16"	Max static pressure (bar)	36,36
E.S.	Extrarun above cabin	3 15/16"	Min static pressure (bar)	20,75
SF.	Piston extraction	7 1/2"	Overpressure limit (bar)	50,91
S.S.P.	Piston/head	21 1/2"	Residual pressure (bar)	1,5
S.S.C.	Cabin/head	19 1/2"		

HYDRAULIC UNIT		MECHANICAL PARTS	
Central unit	GMV HL 3010 (-*)	Guide rails	70x70x9
Capacity (l/min)	43	Brackets	(Nr) 9
Motor (V)	MF230V - 60 Hz	Ropes	Ø 11 mm 6-(1+9+9)
Power (Kw)	2,9	Cables length (mm) 2 x	13000
Nominal current (A)	32	Min actual breaking load (N)	70700
Piston	START SL (ø)80x5x4000		
Opt. oil position	BASSO		
Tubing	3/4" EN 853 1SN - FD 3/4" - FD 3/4"		
Tubing length (mm)	12000		
Min hydraulic oil (L)	60		

SECURITY DEVICES	Manufacturer	Model	Certificate
Safety Gear	PFB	BP1	TÜV AFV515
Block Valve	START ELEVATOR	1/2" 0326	CA50.00526
Key Locks	FERMATOR	210/10/40	

MACHINERY LOCATION			
At floor	1	Length of the hose travel	25 (ft)
Cables enter in shaft: Side	A	Hydraulic unit model	-*

CABIN		CABIN ACCESSORIES	
Panels	Inox Scotch Brite	1/2 Mirror	Lati C
Finishes	Inox Scotch Brite	1/2 Panoramic	Lati B
Oper. panel	VERTICAL	Handrail	INOX S.B., Lati C
Floor	By Customer	Outside covering	Side B
Ceiling	SPOTS LED - Inox BA mecc.	Outside finishing	Similinox F12PPS
Cabin Doors	Side D: 2-Panels Automatic Sliding doors, Inox Scotch Brite		

OTHER ACCESSORIES
Mechanic painted RAL 9005
Guides dimension 98 7/16"
Piston painted RAL 9005
Manual pump
Manostat with overweight signal
Two speed
Return to the lower floor after adjustable time
Cabinet General switcher to enabling controller
False head device
Telephone (predisposition only)
Full height infra-red curtain V2
Automatic Control 2011
Operatori e Sospensioni Fermator



ORDER	
ORDER NUMBER	

Final Drawings	1° STESURA
D.Ogliastro	27/02/15
Final Drawings	
SCALE	SHEET
OUT OF SCALE	2/2